

Technical data



Flexilo and Flexilo Compact

ENGLISH



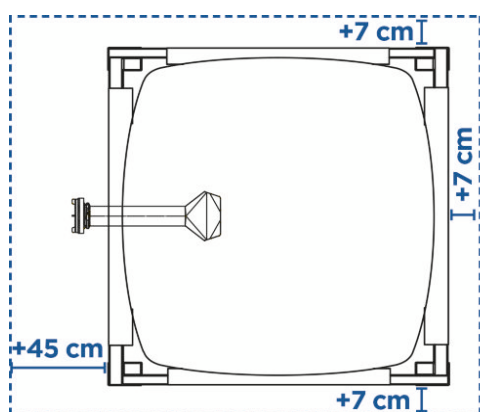
ÖkoFEN Forschungs- & EntwicklungsgesmbH
A-4133 Niederkappel, Gewerbepark 1
Tel.: +43 (0) 72 86 / 74 50
Fax.: +43 (0) 72 86 / 74 50 - 10
E-Mail: oekofen@pelletsheizung.at
www.oekofen.com

1 Technical data

Flexilo Classic fabric tank

Art.No.	Description / size	Filling capacity at ceiling height	
		215 cm	240 cm
S160EU	Flexilo Classic fabric tank 170x170 cm	2,6 to	3,0 to

Room size



Height:

Minimum room height = 215cm
Room height for maximum filling quantity = 240cm

Flexilo Compact fabric tank

Art.No.	Description / size	Filling capacity at ceiling height in tons			
		185 cm	200 cm	220 cm	240 cm
KGT1814EU	Flexilo Compact fabric tank 184x144 cm	1,3-1,6	1,6-2,0	2,1-2,6	2,7-3,3
KGT1818EU	Flexilo Compact fabric tank 184x184 cm	1,7-2,0	2,0-2,5	2,6-3,3	3,4-4,0
KGT2314EU	Flexilo Compact fabric tank 230x144 cm	1,8-2,2	2,1-2,5	2,7-3,3	3,7-4,2
KGT2318EU	Flexilo Compact fabric tank 230x184 cm	2,4-2,8	2,8-3,2	3,7-4,3	4,8-5,4
KGT2320EU	Flexilo Compact fabric tank 230x204 cm	2,8-3,2	3,1-3,5	4,2-4,8	5,4-6,0
KGT2614EU	Flexilo Compact fabric tank 258x144 cm	2,0-2,5	2,4-3,0	3,2-3,8	4,0-4,7
KGT2618EU	Flexilo Compact fabric tank 258x184 cm	2,4-3,0	3,2-4,0	4,2-4,8	5,0-6,2
KGT2620EU	Flexilo Compact fabric tank 258x204 cm	3,3-4,1	3,7-4,7	4,8-5,4	5,5-7,0
KGT2626EU	Flexilo Compact fabric tank 258x258 cm	4,0-5,1	4,9-6,1	6,2-7,1	7,2-8,5
KGT3626EU	Flexilo Compact fabric tank 358x258 cm	5,4-6,6	7,4-8,6	9,4-10,6	11,4-12,5



If the room height is less than 200 cm, complete emptying does not take place. Approx. 15-30% of the filling quantity is not emptied automatically. The lower the room height, the higher the residual quantity remaining in the tank. This must be taken into account when selecting the tank size.



Filling volume depends on the bulk weight of pellets (kg/m³) as well as ceiling height and can differ by up to 20%.



Heating load - annual requirement pellets

Heating load in kW x 400
 Oil consumption in liters x 2
 Gas consumption in m³ x 2
 Gas consumption in kWh / 4,9



Example

Heating load 14 kW: $14 \times 400 = 5.600 \text{ kg} \blacktriangleright 5,6 \text{ to}$
 Oil consumption: 3.000 liters: $3.000 \times 2 = 6.000 \text{ kg} \blacktriangleright 6,0 \text{ to}$
 Gas consumption: $3.000 \text{ m}^3 \times 2 = 6.000 \text{ kg} \triangleq 6,0 \text{ to}$
 Gas consumption: $30.000 \text{ kWh} / 4,9 = 6.122 \text{ kg} \triangleq 6,1 \text{ to}$

Room size	
Filling unit and discharge motor on the same side	Filling unit opposite discharge motor
Height:	Minimum room height = 185cm Room height for maximum filling quantity = 240cm

ÖkoFEN